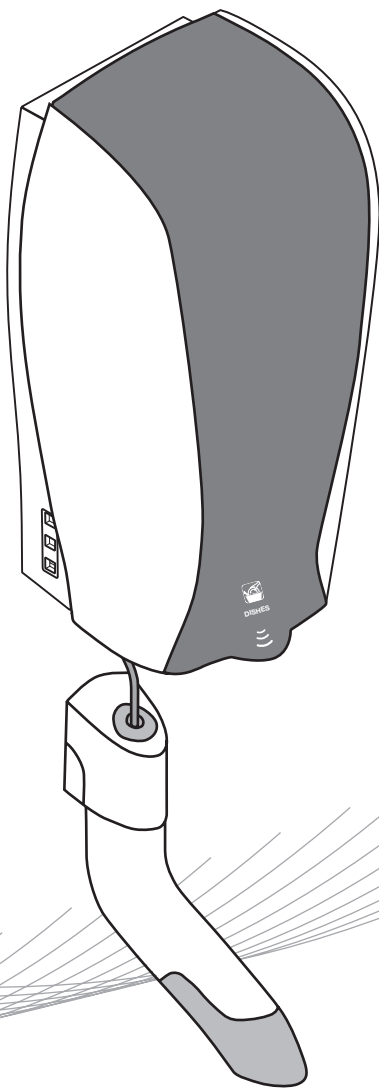
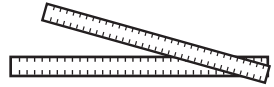
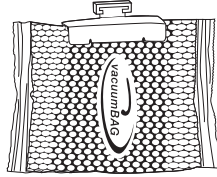
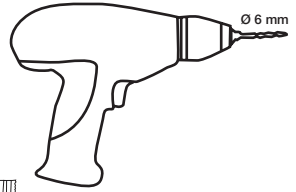
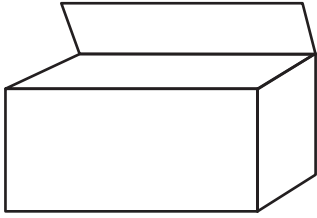
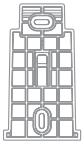


Xibu  
senseDISHES

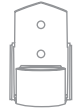




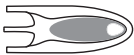
C-Type (baby/LR14)  
ALKALINE



1 x



1 x



1 x



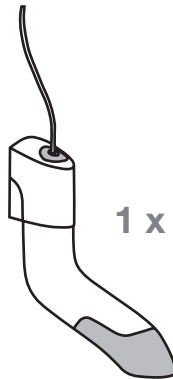
4 x



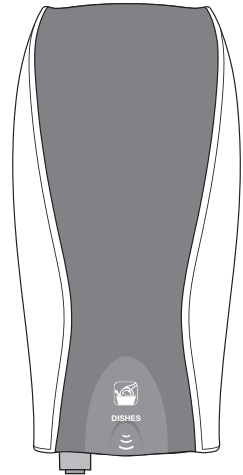
4 x



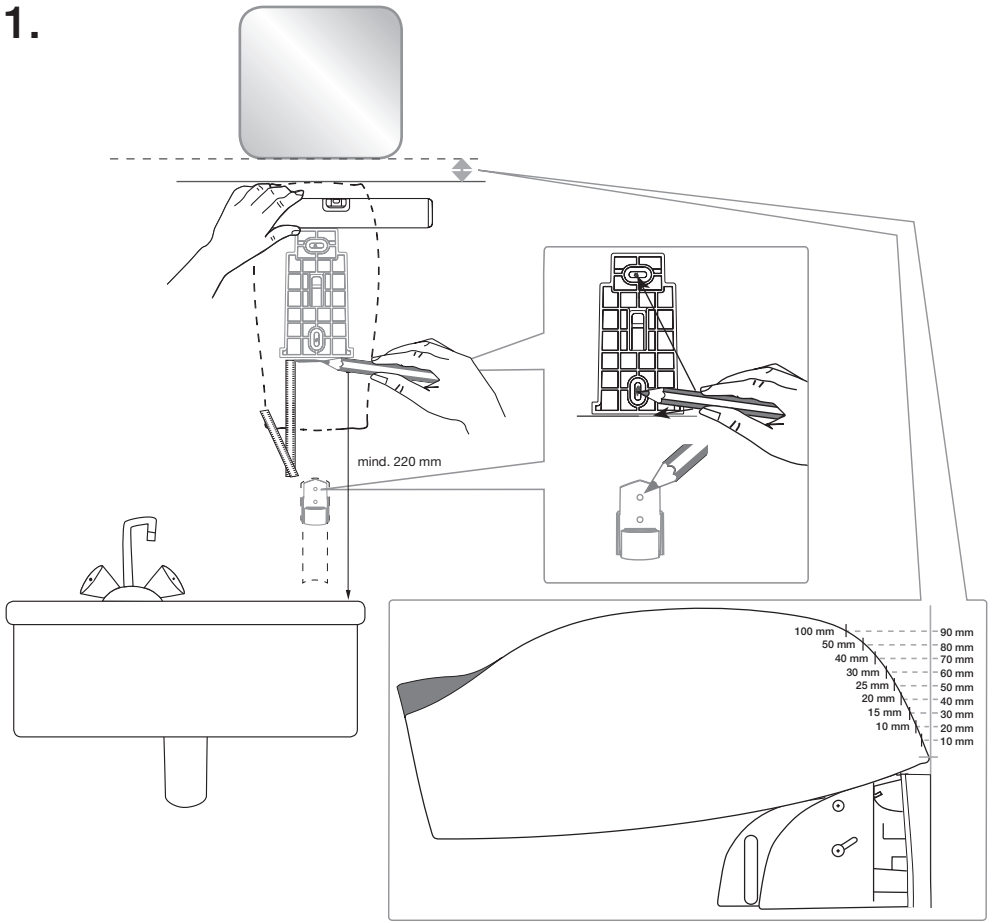
4 x



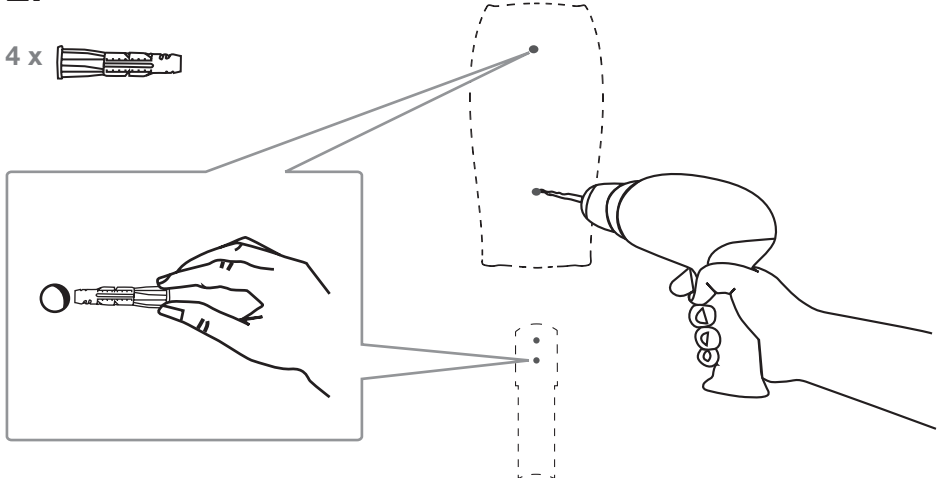
1 x



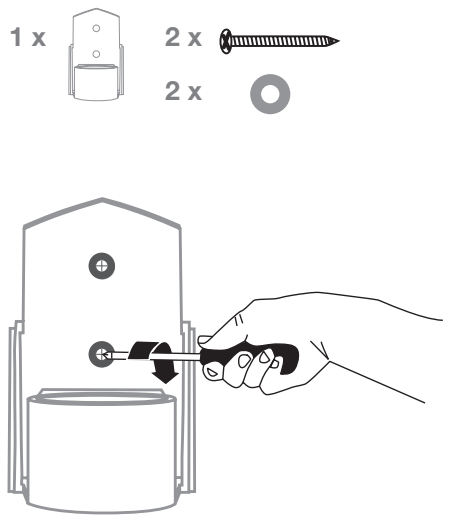
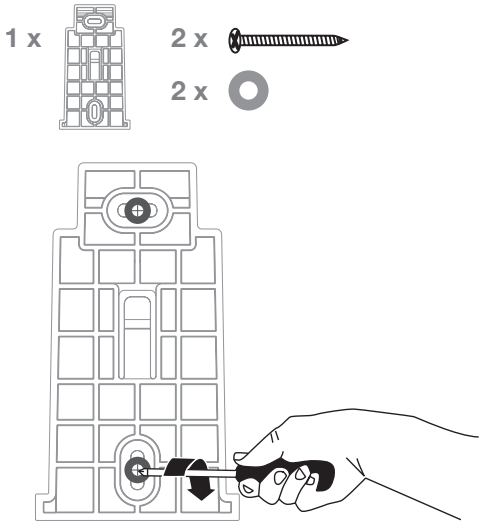
1.



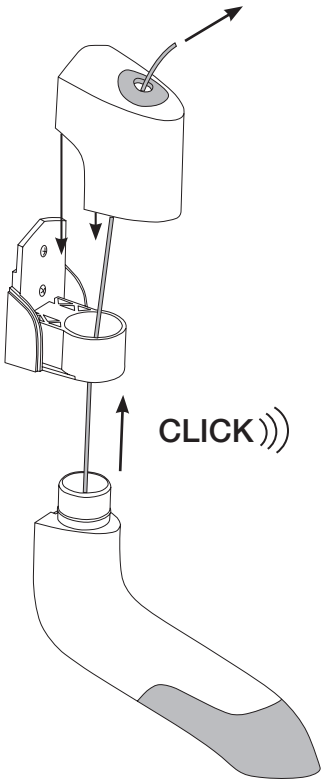
2.



### 3.

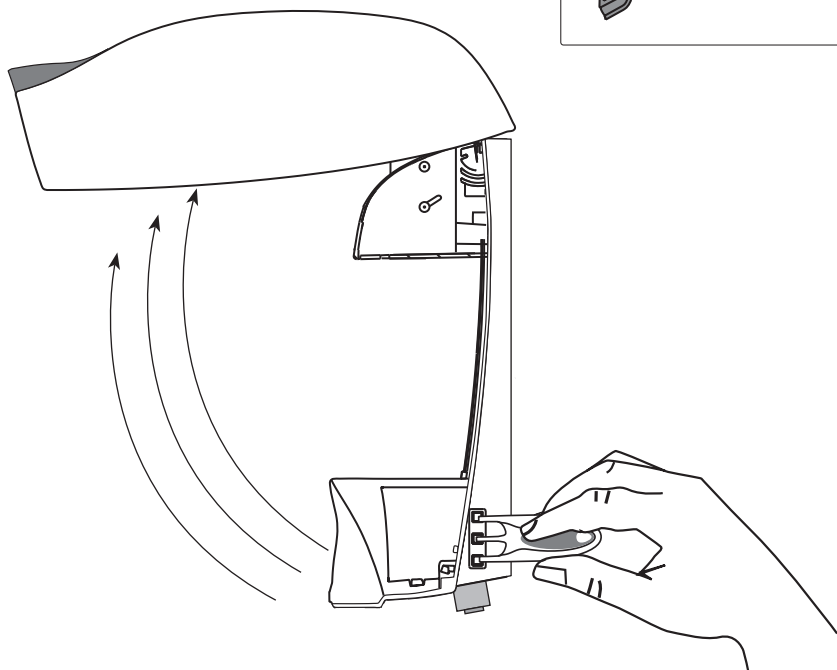
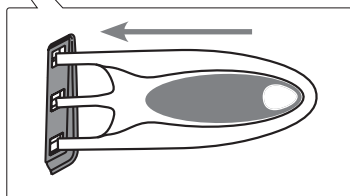
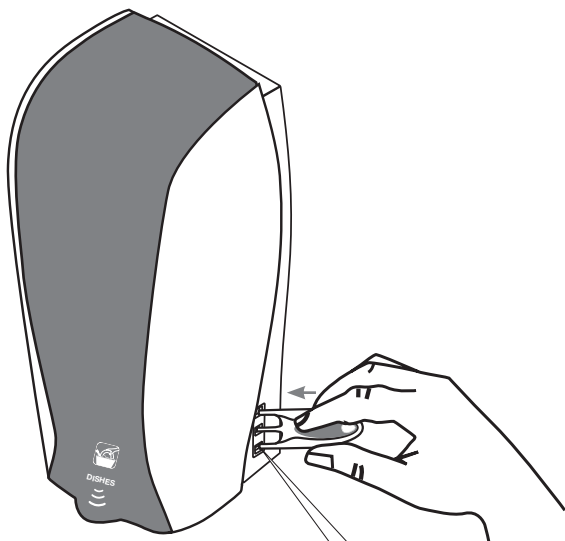
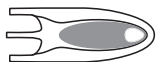


### 4.

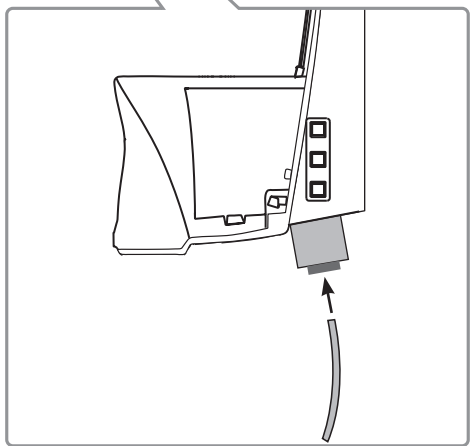
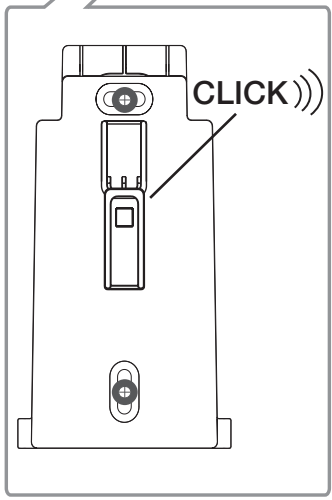
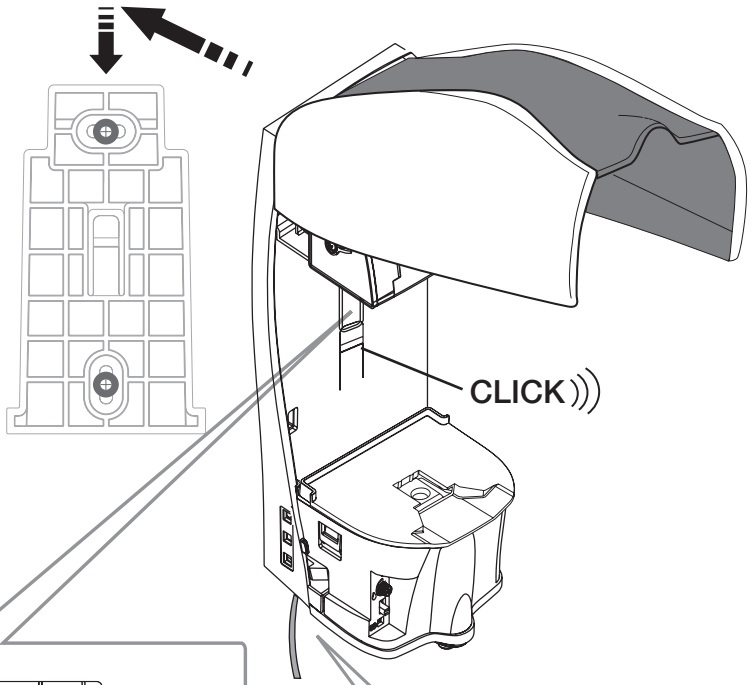


5.

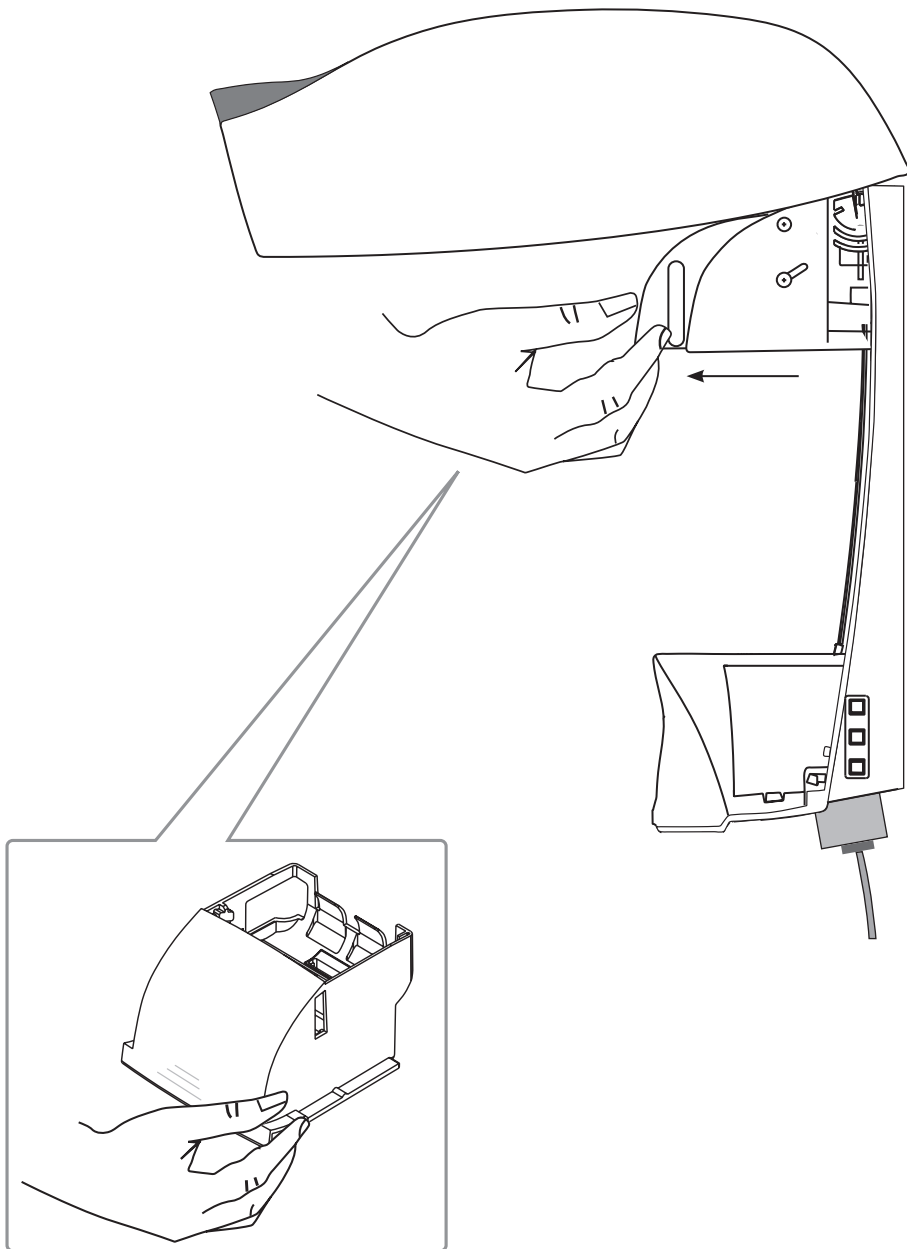
1 x



6.

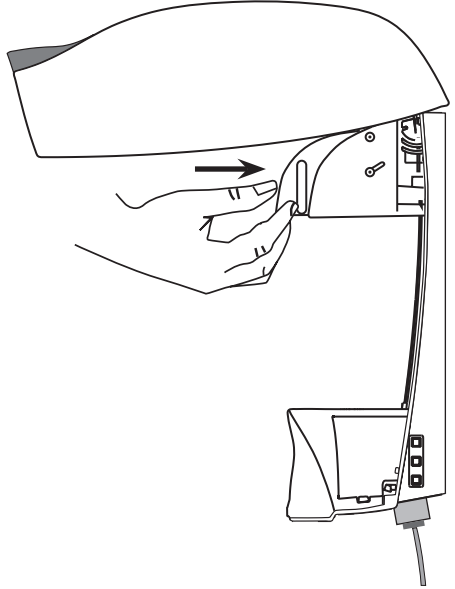
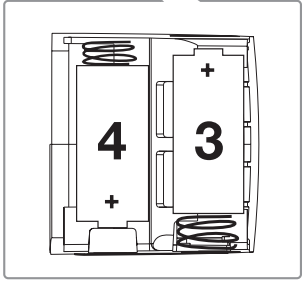
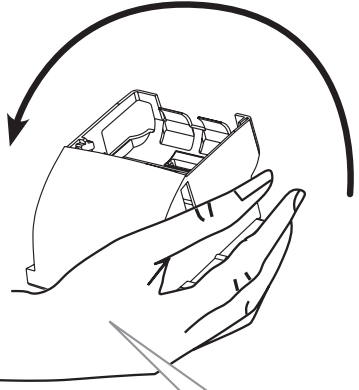
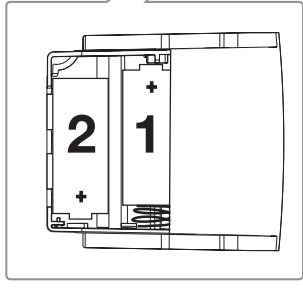
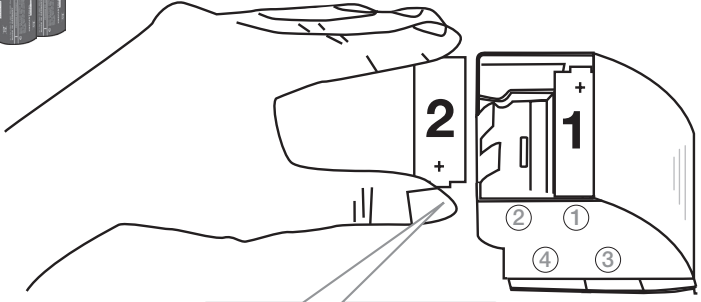


7.



# 8.

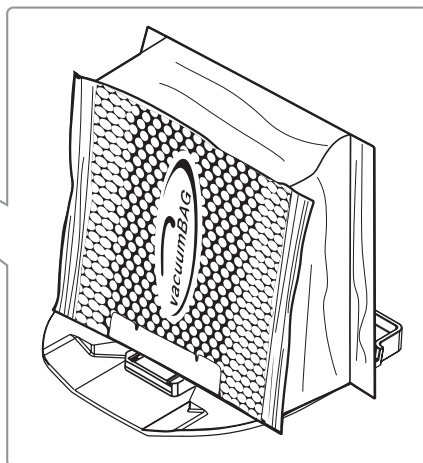
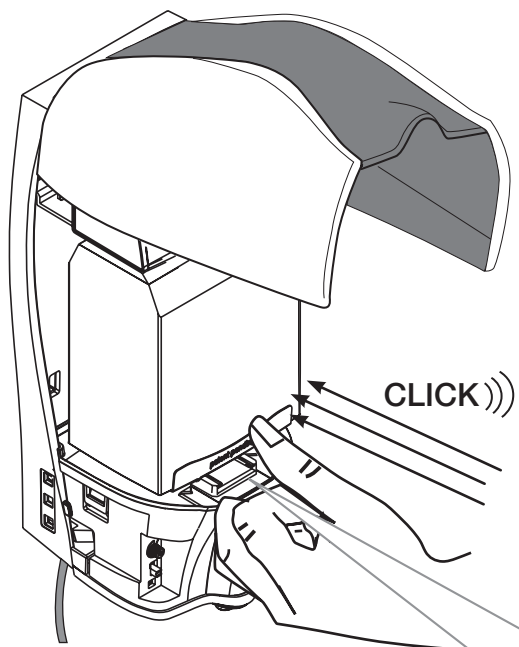
C-Type (baby/LR14)  
ALKALINE



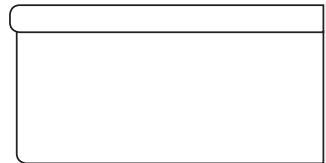
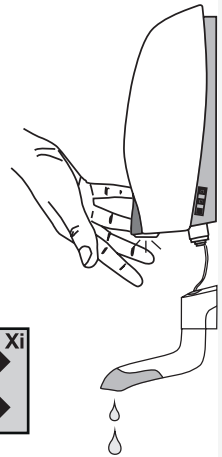
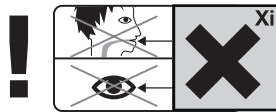
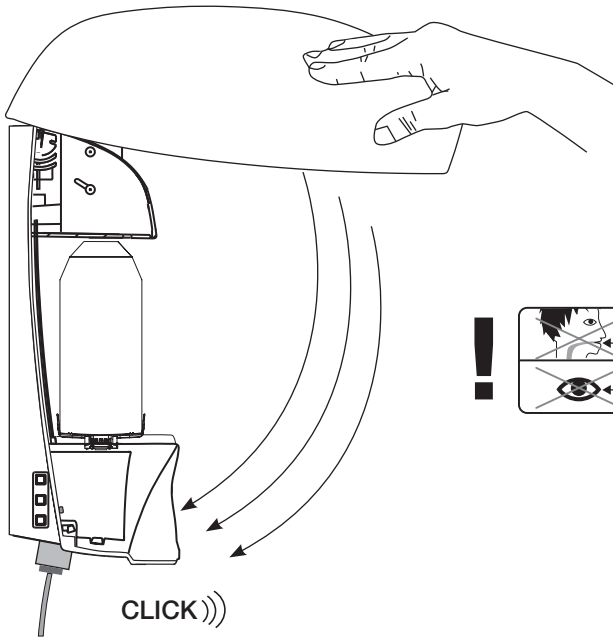
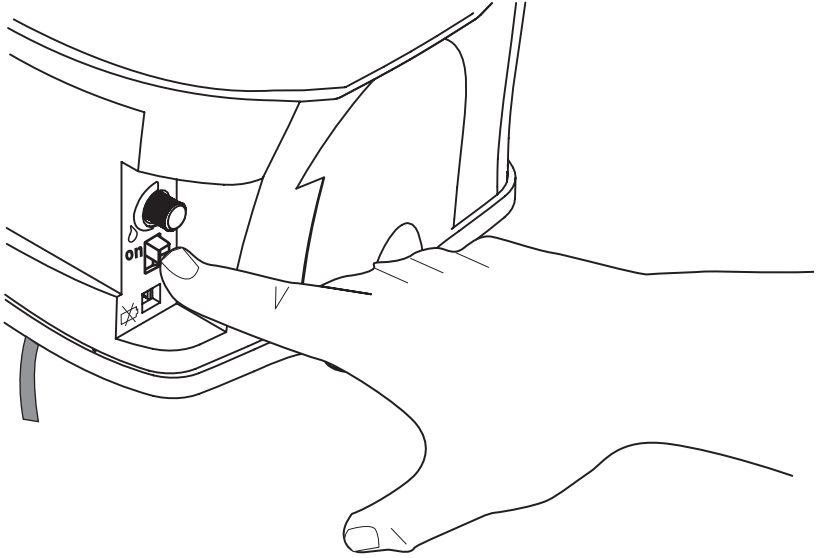


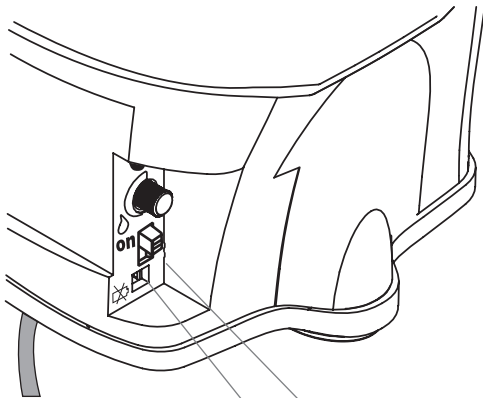
9.

1 x



10.





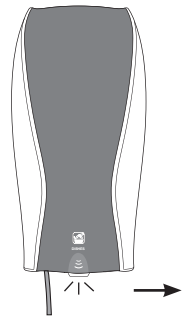
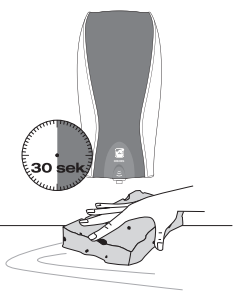
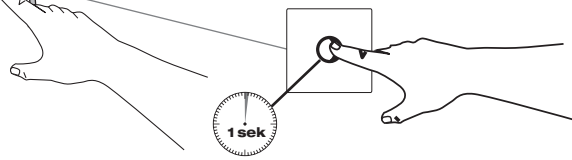
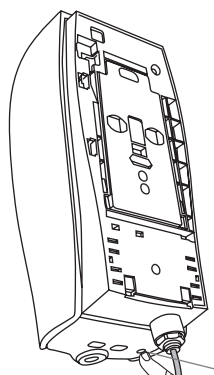
12 ml  
4 ml



on  
off



8.)



green	= ok	
green+red	= change	(7., 8., 10.) / (7., 9., 10.)
red	=	empty